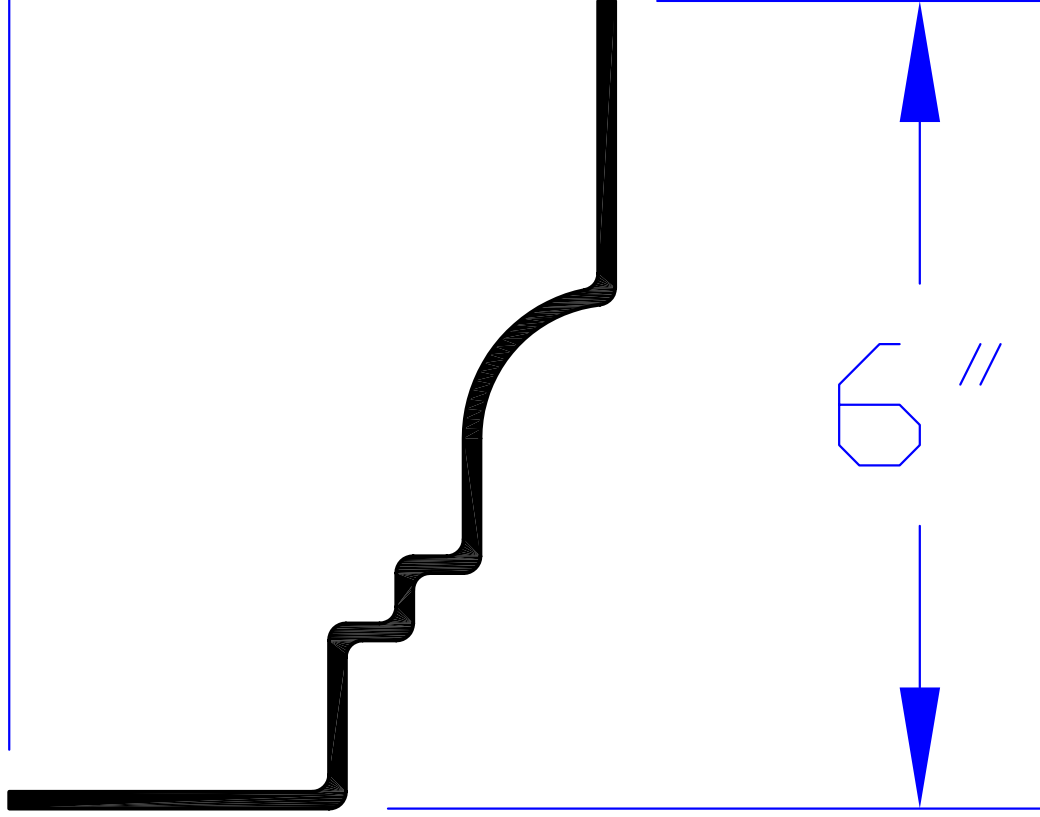
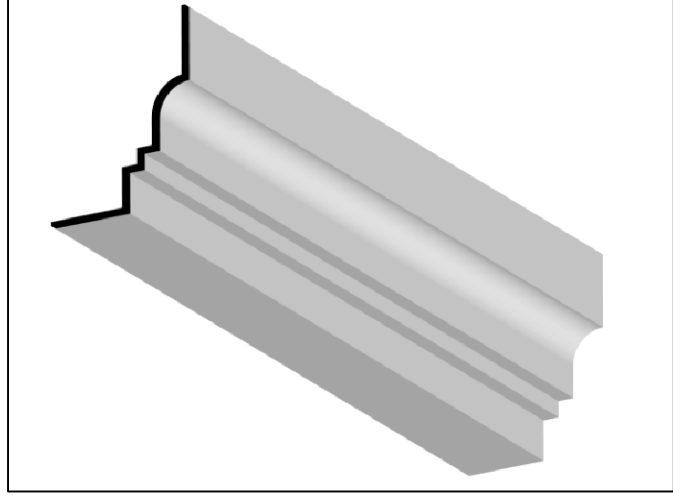




4  
2011



6



CR045B

FIBERGLASS  
TECHNOLOGIES, INC.

1610 Hanford St., Levittown, PA \* (215) 943-4567 \* FAX (215) 943-4540