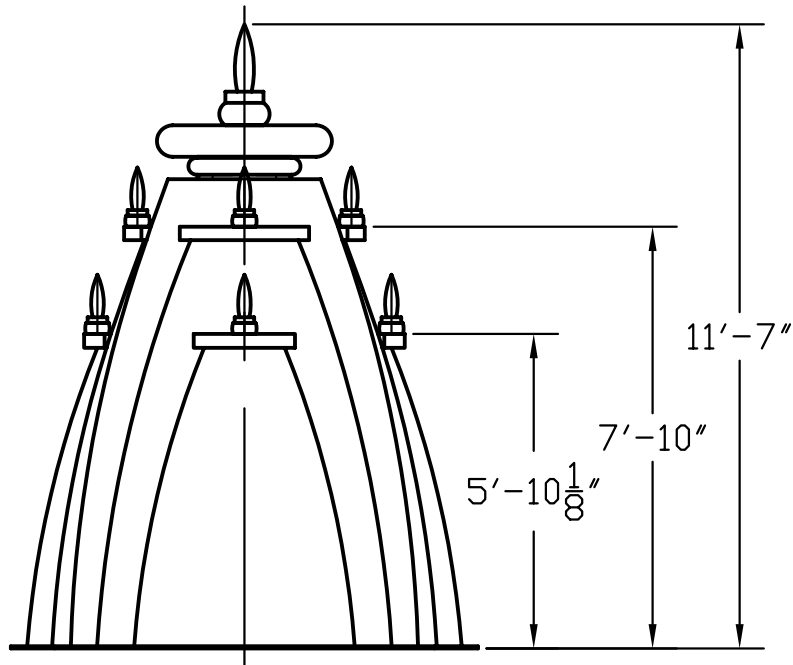


DM054 - 4 PIECE DOME WITH FINIALS

NOTE: THIS DOME IS ONLY AVAILABLE WITH EXTERIOR SIDE FINISHED

WEIGHT: APX. 600 LBS.



FIBERGLASS
TECHNOLOGIES, INC.

1610 Hanford St., Levittown, PA * (215) 943-4567 * FAX (215) 943-4540

DM054