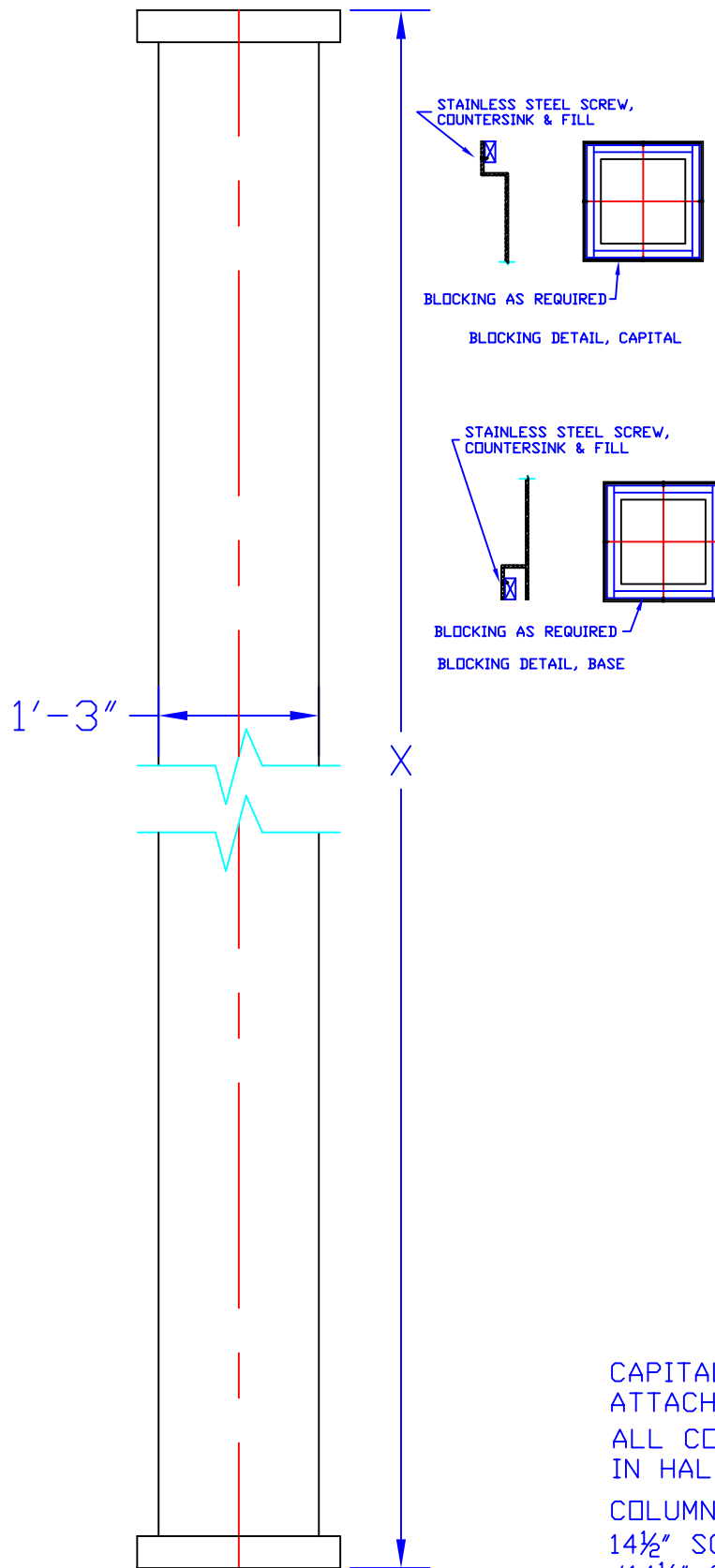


CAPITAL & BASE
 ATTACHED
 ALL COLUMNS SHIPPED
 IN HALF-UNITS
 COLUMN WILL FIT UP TO:
 14½" SQ. BEAM
 Ø14½" COLUMN

CSQ15

*FIBERGLASS
 TECHNOLOGIES, INC.*

1610 Hanford St., Levittown, PA * (215) 943-4567 * FAX (215) 943-4540



CAPITAL & BASE
ATTACHED
ALL COLUMNS SHIPPED
IN HALF-UNITS
COLUMN WILL FIT UP TO:
14½" SQ. BEAM
Ø14½" COLUMN

CSQ15A

*FIBERGLASS
TECHNOLOGIES, INC.*

1610 Hanford St., Levittown, PA * (215) 943-4567 * FAX (215) 943-4540