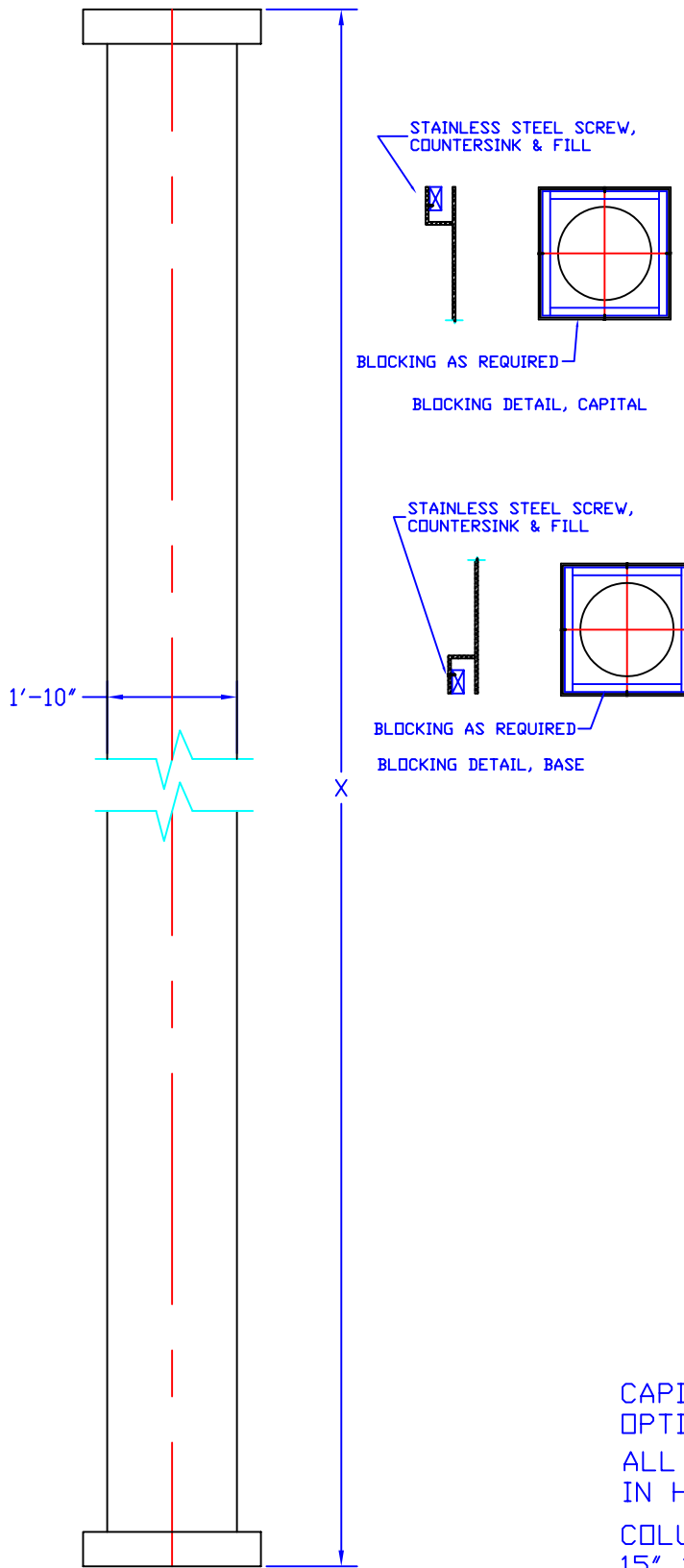


CAPITAL & BASE
 OPTIONAL
 ALL COLUMNS SHIPPED
 IN HALF-UNITS
 COLUMN WILL FIT UP TO:
 15" SQ. BEAM
 Ø21" COLUMN

CLS22

FIBERGLASS
TECHNOLOGIES, INC.

1610 Hanford St., Levittown, PA * (215) 943-4567 * FAX (215) 943-4540

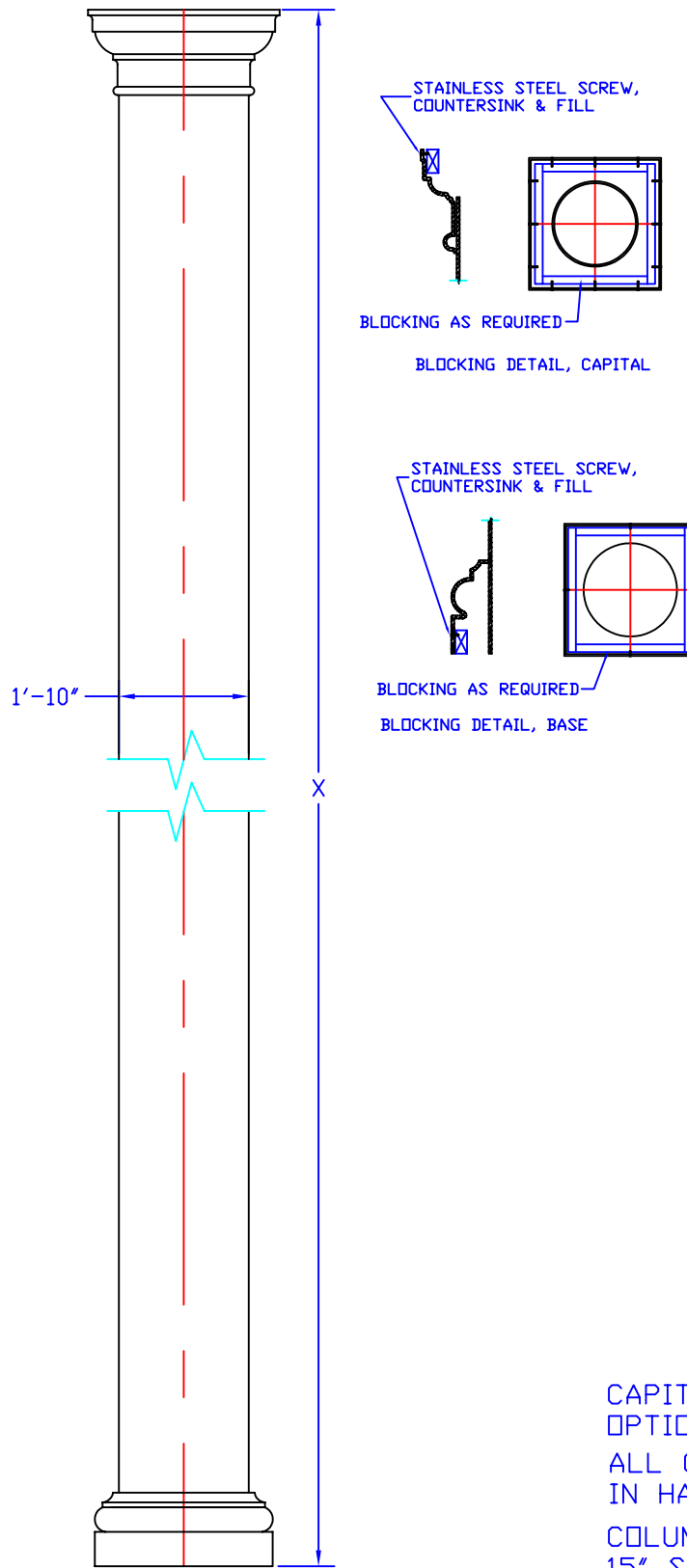


CAPITAL & BASE
 OPTIONAL
 ALL COLUMNS SHIPPED
 IN HALF-UNITS
 COLUMN WILL FIT UP TO:
 15" SQ. BEAM
 Ø21" COLUMN

CLS22A

*FIBERGLASS
 TECHNOLOGIES, INC.*

1610 Hanford St., Levittown, PA * (215) 943-4567 * FAX (215) 943-4540

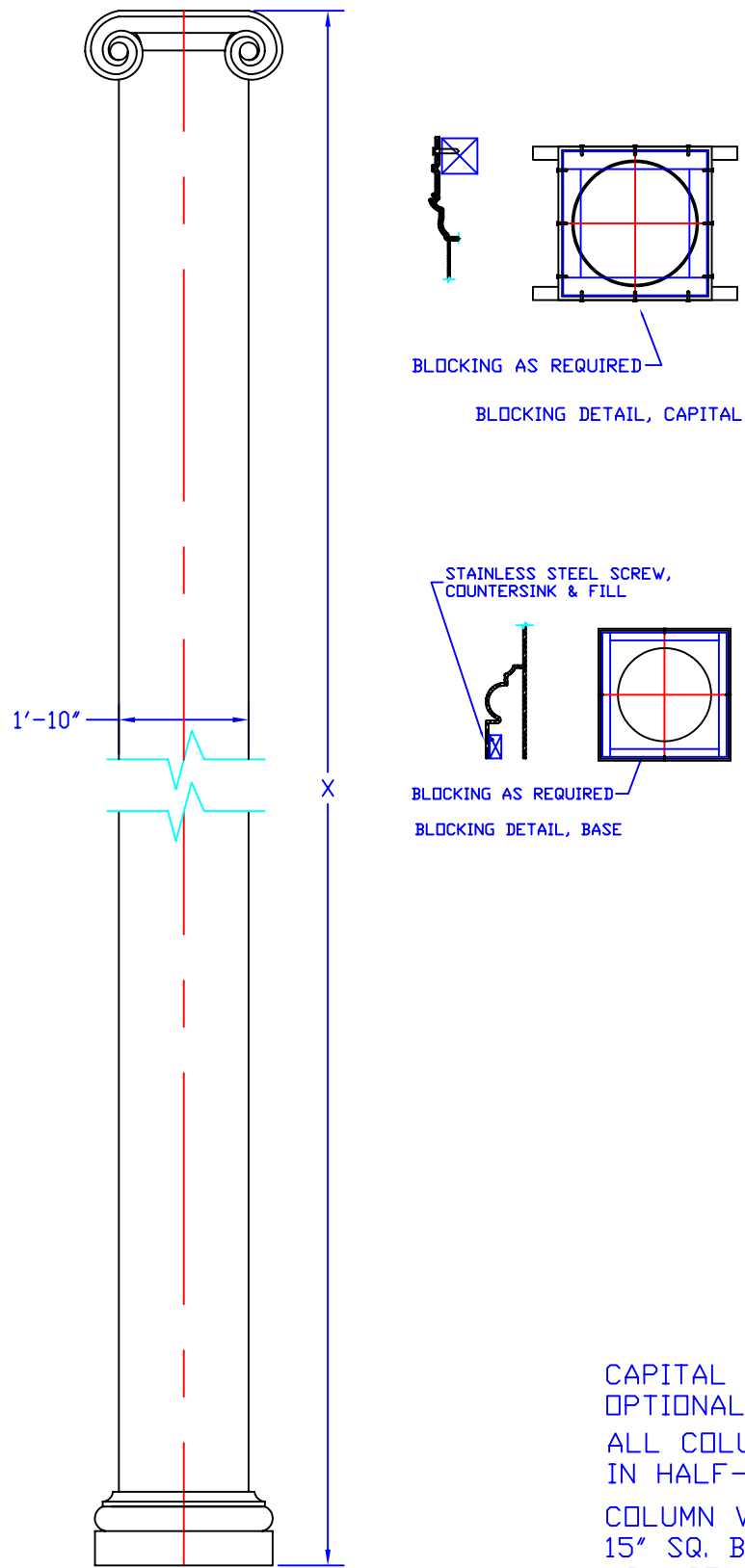


CAPITAL & BASE
OPTIONAL
ALL COLUMNS SHIPPED
IN HALF-UNITS
COLUMN WILL FIT UP TO:
15" SQ. BEAM
Ø21" COLUMN

CLS22B

*FIBERGLASS
TECHNOLOGIES, INC.*

1610 Hanford St., Levittown, PA * (215) 943-4567 * FAX (215) 943-4540

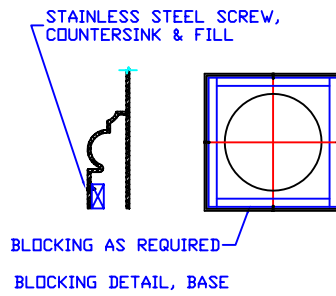
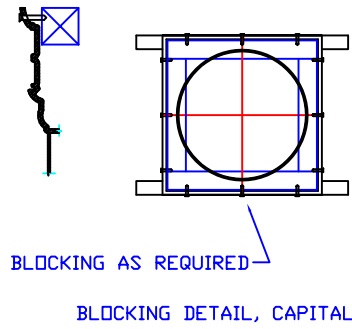
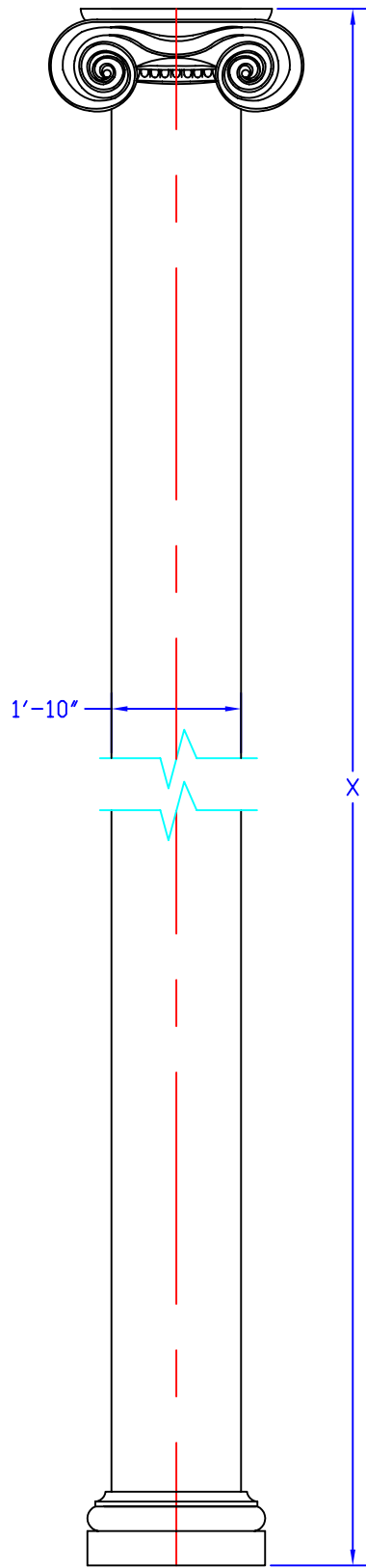


CAPITAL & BASE
 OPTIONAL
 ALL COLUMNS SHIPPED
 IN HALF-UNITS
 COLUMN WILL FIT UP TO:
 15" SQ. BEAM
 Ø21" COLUMN

CLS22C

*FIBERGLASS
 TECHNOLOGIES, INC.*

1610 Hanford St., Levittown, PA * (215) 943-4567 * FAX (215) 943-4540

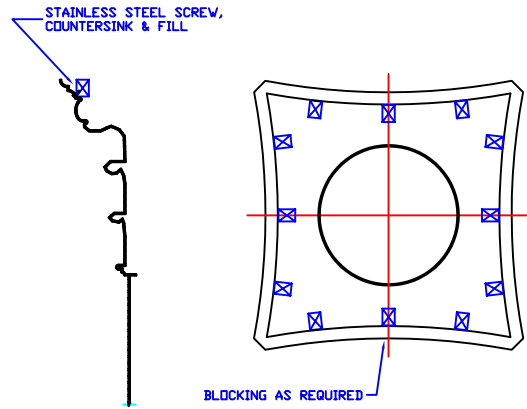
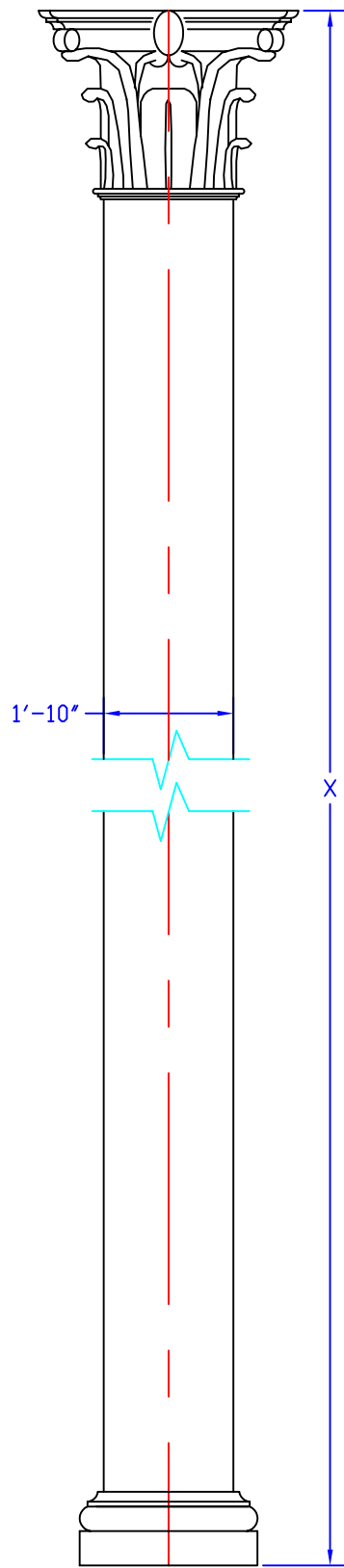


CAPITAL & BASE
OPTIONAL
ALL COLUMNS SHIPPED
IN HALF-UNITS
COLUMN WILL FIT UP TO:
15" SQ. BEAM
Ø21" COLUMN

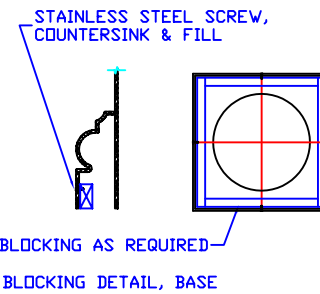
CLS22D

FIBERGLASS
TECHNOLOGIES, INC.

1610 Hanford St., Levittown, PA * (215) 943-4567 * FAX (215) 943-4540



BLOCKING DETAIL, CAPITAL



CAPITAL & BASE
 OPTIONAL
 ALL COLUMNS SHIPPED
 IN HALF-UNITS
 COLUMN WILL FIT UP TO:
 15" SQ. BEAM
 Ø21" COLUMN

CLS22E

*FIBERGLASS
 TECHNOLOGIES, INC.*

1610 Hanford St., Levittown, PA * (215) 943-4567 * FAX (215) 943-4540